



HOSHIZAKI

CATÁLOGO 2025

COD-18032025



MODELO	DESCRIPCIÓN	
HS0229	DS Door Reversal Part	
HS5061	Drain Pump	
HS0182	Side Trim Kit	
HS2133	2" Top Spacer Kit	
H9320-51	Water Filtration - Single Configuration	
AM50BAJ	Máquina de hielos puerta de acero, Hielo Gourmet	
AM50BAJDS	Máquina de hielos panelable, Hielo Gourmet	
AM50BAJAD	Máquina de hielos puerta de acero medidas ADA, Hielo Gourmet	
AM50BAJADDS	Máquina de hielos panelable medidas ADA, Hielo Gourmet	
C80BAJ	Máquina de hielos puerta de acero, Hielo Cube	
C80BAJDS	Máquina de hielos panelable, Hielo Cube	
C80BAJAD	Máquina de hielos puerta de acero medidas ADA, Hielos Cube	
C80BAJADDS	Máquina de hielos panelable medidas ADA, Hielo Cube	
IM200BAC	ELF Contained square cuber with built-in storage bin	
IM50BAAQ	Sphere cube icemaker, air-cooled, built In storage bin	
HR24C	Under counter refrigerator	
KM81BAJ	Self-contained cuber with built-in storage bin	





AM50BAJ(AD)DS

SELF-CONTAINED CUBER WITH BUILT-IN STORAGE BIN

W x D x H AM50BAJ / AM50BAJDS 14 ⁷ / ₈ " x 22 ⁵ / ₈ " x 33 ¹ / ₂ "	(AD) - ADA Compliant (DS) - Customized Cabinet Door System	<h3 style="color: #00AEEF;">Features</h3> <ul style="list-style-type: none"> UL approved for outdoor use Undercounter design Drain pump option available <ul style="list-style-type: none"> Up to 55 lbs. of ice production per 24 hrs. Fewer moving parts for longer life. Power switch accessible without panel removal. Less than 34 inches tall (AM-50BAJ, AM-50BAJ-DS). Less than 32 inches tall; ADA Compliant (AM-50BAJ-AD, AM-50BAJ-ADDS). Up to 22 lbs. of built-in storage capacity. Easily disassembled water circuit for easy cleaning. Front in and out airflow Equipped with 6 ft. Cord with NEMA 5-15 Plug. R-134a Refrigerant. <p style="color: #00AEEF; margin-top: 10px;">Warranty: 2 Year Parts & Labor on entire machine. 1 Year Parts & Labor on HS-5061 Drain Pump Assembly. Valid in United States, Canada, Puerto Rico and U.S. Territories. Contact factory for warranty in other countries.</p>
AM50BAJAD / AM50BAJADDS 14 ⁷ / ₈ " x 22 ⁵ / ₈ " x 31 ¹ / ₂ "	<div style="display: flex; justify-content: space-around;"> <div style="text-align: center;"> AM50BAJ Air Cooled (Shown) </div> <div style="text-align: center;"> AM50BAJDS* (Shown) with Custom Cabinetry </div> </div> <div style="display: flex; justify-content: space-around; margin-top: 20px;"> <div style="text-align: center;"> AM50BAJAD Air Cooled ADA Compliant Unit </div> <div style="text-align: center;"> AM50BAJADDS* Air Cooled ADA Compliant Unit <i>*Customer responsible for providing cabinetry</i> </div> </div> <div style="text-align: center; margin-top: 10px;"> </div>	

MODELO	DESCRIPCIÓN
AM50BAJ	Máquina de hielos, puerta de acero, Hielo Gourmet
AM50BAJDS	Máquina de hielos, panelable, Hielo Gourmet
AM50BAJAD	Máquina de hielos, puerta de acero, medidas ADA, Hielo Gourmet
AM50BAJADDS	Máquina de hielos, panelable, medidas ADA, Hielo Gourmet

Condenser	Model	ICE PRODUCTION		WATER USAGE		ELECTRICAL						
		Air / Water Temp Lbs. per 24 hours 70°/ 50°F 90°/ 70°F	Potable Gal. per 100 lbs. 90°/ 70°F	Condenser Gal. per 100 lbs. 90°/ 70°F	kWh Used per 100 lbs. 90°/ 70°F	Max. Fuse Sz or HACR Circuit Bkr	Amperage	Voltage	Heat Rejection BTU/hr.	Refrigerant Charge Amount	Net / Ship Weight (lbs.)	
Air	AM50BAJ(DS)	51	35	71.0	N/A	17.0	15A	3.8A	115V/60/1	1,900	4.2oz	88 / 97
Air	AM50BAJAD(DS)	55	34	63.9	N/A	16.8	15A	3.8A	115V/60/1	1,900	4.2oz	88 / 99

AM Cube Dimensions*

**approximate size in inches, image not to scale*

Operating Limits

- Ambient Temp Range 45-100°F
- Water Temp Range 45-95°F
- Water Pressure 7-113 PSIG
- Voltage Range 104-127V

Location

- Allow 15" (38cm) at front and enough space at rear for water supply and drain connections.
- Location must provide a firm and level foundation.
- Do not place near ovens, grills or other high heat producing equipment

Parts

- DS Door Reversal Part - HS-0229
Optional Kit required for (-DS) models.
- Side trim kit available.
- Accessory - HS-5061 Drain Pump Assembly.
- Water filter - H9320-51

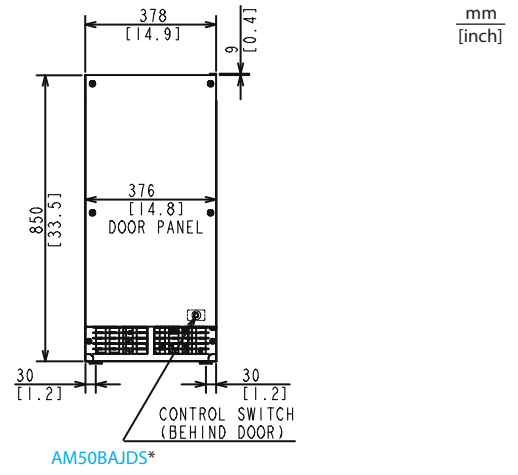
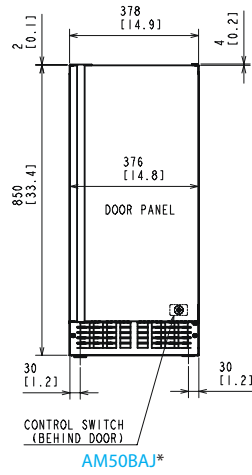
Plumbing

- Icemaker Water Supply Line: Minimum 1/4 " Nominal ID Cooper Water Tubing or Equivalent
- Icemaker Drain Line: Minimum 1/2" Nominal ID Hard Pipe or Equivalent.

AM50BAJ(AD)DS

SELF-CONTAINED CUBER WITH BUILT-IN STORAGE BIN

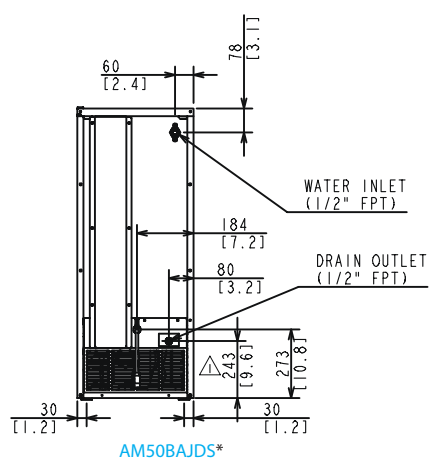
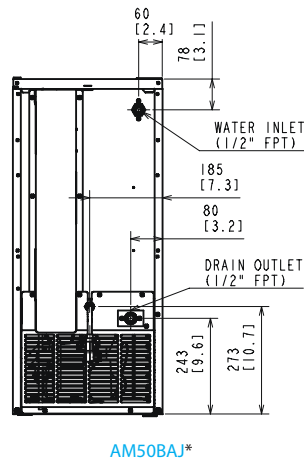
FRONT VIEW



mm
[inch]

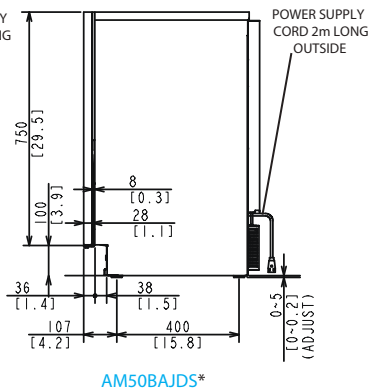
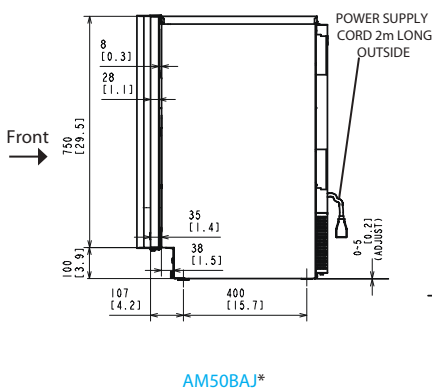
* -AD models have height of 31.5"

REAR VIEW



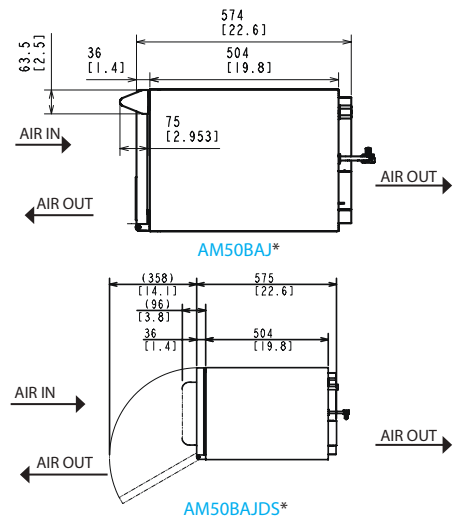
* -AD models have height of 31.5"

SIDE VIEW



* -AD models have height of 31.5"

TOP VIEW





C80BAJ(AD)DS

SELF-CONTAINED CUBELET ICE MACHINE WITH BUILT-IN STORAGE BIN

W x D x H C80BAJ / C80BAJDS 147 ⁷ / ₈ " x 22 ⁵ / ₈ " x 33 ¹ / ₂ " Shipping Dimensions 30 ¹ / ₂ " x 20 ³ / ₄ " x 40"	(AD) - ADA Compliant (DS) - Customized Cabinet Door System	<h3 style="color: #00AEEF;">Features</h3> <ul style="list-style-type: none"> Full length stainless steel door handle UL approved for outdoor use Undercounter design <ul style="list-style-type: none"> Up to 80 lbs. of ice production per 24 hrs. Up to 22 lbs. of built-in storage capacity. Power switch accessible without panel removal. Less than 34 inches tall (C80BAJ, C80BAJDS). Less than 32 inches tall; ADA Compliant (C80BAJAD, C80BAJADDS). Easily disassembled water circuit for easy cleaning. Front in and out airflow Equipped with 6 ft. Cord with NEMA 5-15 Plug. R-134a Refrigerant. <p>Warranty: 2 Year Parts & Labor on entire machine. 1 Year Parts & Labor on HS-5061 Drain Pump Assembly. Valid in United States, Canada, Puerto Rico and U.S. Territories. Contact factory for warranty in other contries.</p>
C80BAJAD / C80BAJADDS 147 ⁷ / ₈ " x 22 ⁵ / ₈ " x 31 ¹ / ₂ " Shipping Dimensions 30 ¹ / ₂ " x 20 ³ / ₄ " x 38"	<div style="display: flex; justify-content: space-around;"> <div style="text-align: center;"> <p>C80BAJ Air Cooled (Shown)</p> </div> <div style="text-align: center;"> <p>C80BAJDS* (Shown) with Custom Cabinetry</p> </div> </div> <div style="display: flex; justify-content: space-around; margin-top: 20px;"> <div style="text-align: center;"> <p>C80BAJAD Air Cooled ADA Compliant Unit</p> </div> <div style="text-align: center;"> <p>C80BAJADDS* Air Cooled ADA Compliant Unit <i>*Customer responsible for providing cabinetry</i></p> </div> </div> <div style="text-align: center; margin-top: 10px;"> </div>	

MODELO	DESCRIPCIÓN
C80BAJ	Máquina de hielos, puerta de acero, Hielo Cube
C80BAJDS	Máquina de hielos, panelable, Hielo Cube
C80BAJAD	Máquina de hielos, puerta de acero, medidas ADA, Hielo Cube
C80BAJADDS	Máquina de hielos, panelable, medidas ADA, Hielo Cube

Condenser	Model	ICE PRODUCTION		WATER USAGE		ELECTRICAL				Heat Rejection BTU/hr.	Refrigerant Charge Amount	Net / Ship Weight (lbs.)
		Air / Water Temp Lbs. per 24 hours 70°/ 50°F 90°/ 70°F	Potable Gal. per 100 lbs. 90°/ 70°F	Condenser Gal. per 100 lbs. 90°/ 70°F	kWh Used per 100 lbs. 90°/ 70°F	Max. Fuse Sz or HACR Circuit Bkr	Amperage	Voltage				
Air	C80BAJ(DS)	80	45	12.0	N/A	17.3	15A	4.0A	115V/60/1	1,850	3.92 oz	118 / 130
Air	C80BAJAD(DS)	80	45	12.0	N/A	17.3	15A	4.0A	115V/60/1	1,850	3.92 oz	118 / 130

Mini Cubelet Dimensions*

**approximate size in inches, image not to scale*

Operating Limits

- Ambient Temp Range: 45-100°F
- Water Temp Range: 45-95°F
- Water Pressure: 7-113 PSIG
- Voltage Range: 104-127V

Location

- Allow enough clearance at rear for water and drain connections with 15" (38cm) clearance in the front.
- Location must provide a firm and level foundation.
- Do not place near ovens, grills or other high heat producing equipment

Parts

- Optional Side Trim Kit: HS-0182
- Optional Top Trim Kit: HS-2133
- Optional Drain Pump Assembly: HS-5061

Plumbing

- Icemaker Water Supply Line: Minimum 1/4" Nominal ID Cooper Water Tubing or Equivalent
- Icemaker Drain Line: Minimum 1/2" Nominal ID Hard Pipe or Equivalent.

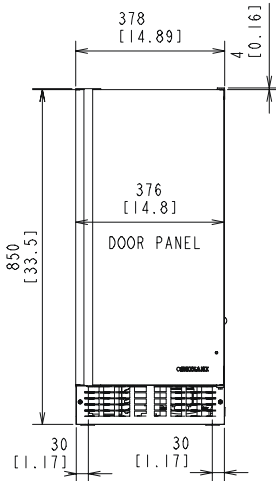
Water Filter
 Please refer to water filter spec sheet for recommended configurations.



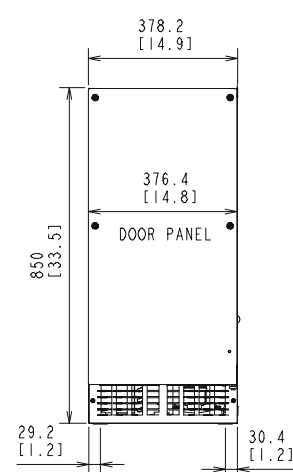
C80BAJ(AD)DS

SELF-CONTAINED CUBELET ICE MACHINE WITH BUILT-IN STORAGE BIN

FRONT VIEW



C80BAJ*

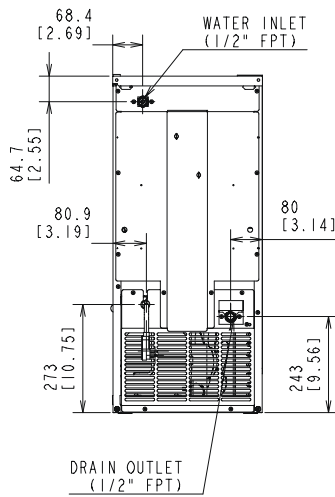


C80BAJDS*

mm
[inch]

* AD models have height of 31.5"

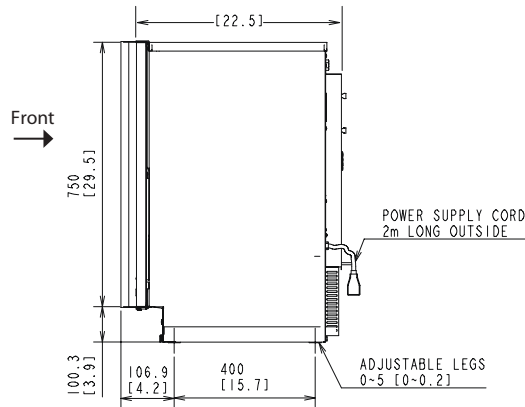
REAR VIEW



C80BAJ(DS)*

* AD models have height of 31.5"

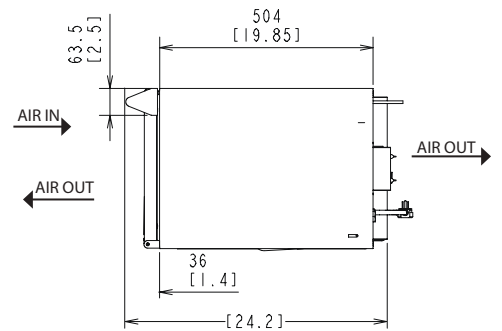
SIDE VIEW



C80BAJ*

* AD models have height of 31.5"

TOP VIEW



C80BAJ*



IM200BAC

SELF-CONTAINED SQUARE CUBER WITH BUILT-IN STORAGE BIN


W x D x H
39 1/2" x 23 5/8" x 33 1/2"*
*including 6" legs

IM200BAC
Air-Cooled



Features

- ▶ Large, individual, clear square cubes
- ▶ Self-contained with built-in storage bin
- ▶ Each cube is made individually by a dedicated jet spray

- Up to 188 lbs. of ice production per 24 hours
- Built-in storage capacity 75 lbs.*
- EverCheck™ alert system 
- Durable stainless steel exterior
- Removable air filter
- Ice scoop included
- Five 6" adjustable legs are standard
- 6' power cord with NEMA 5-15P plug
- R-404A Refrigerant

Warranty:

3 Year Parts & Labor on entire machine. 5 Year Parts on Compressor; air-cooled condenser coil. Valid in United States, Canada, Puerto Rico and U.S. Territories. Contact factory for warranty in other countries.

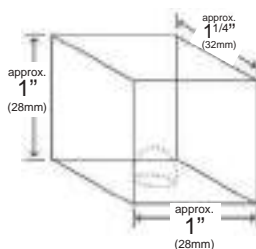
Shipping: (LxWxH) 43 1/4" x 26 3/4" x 34 1/8" Volume: 22.85ft³

MODELO	DESCRIPCIÓN
IM200BAC	Self contained square cuber with built-in storage bin

Condenser	Model	ICE PRODUCTION		WATER USAGE		ELECTRICAL			Storage Capacity	Heat Rejection BTU/hr.	Refrigerant Charge Amount	Net / Ship Weight (lbs.)
		Air / Water Temp Lbs. per 24 hours 70°/ 50°F	90°/ 70°F	Potable Gal. per 100 lbs. 90°/ 70°F	kWh Used per 100 lbs. 90°/ 70°F	Max. Fuse Size or HACR Circuit Breaker	Amperage	Voltage				
Air-Cooled	IM200BAC	188	150	22.5	8.4	15A	7.5A	115V/60/1	2.5 ft ³ /75lbs.*	3,420	10.6oz	175 / 212

*Rated in accordance with AHRI Standard 820(I-P). Capacity based on 100% of total volume x 30 lb/ft³ average density of ice.

IM Cube Dimensions*



* approximate size; image not to scale

Operating Limits

- Ambient Temp Range 45 - 100°F
- Water Temp Range 45 - 90°F
- Water Pressure 10 - 113 PSIG
- Voltage Range 104 - 127V

Service

- Panels easily removed and all components accessible for service.
- Removable/cleanable air filter.

Water Filter

Please refer to water filter specification sheet for recommendations.

Plumbing

- Icemaker Water Supply Line: Minimum 1/4" Nominal ID Copper Water Tubing or Equivalent
- Icemaker Drain Line: Minimum 3/4" Nominal ID Hard Pipe or Equivalent

Clearance

- Allow 6" (15 cm) clearance on right side and 2" (5 cm) on rear. Allow 2" (5 cm) on left side and 0" on top or 5/8" (15 mm) on left side and 2" (5 cm) on top for proper air circulation and ease of maintenance/service.
- Do not place more than 33 lbs. on the top panel.

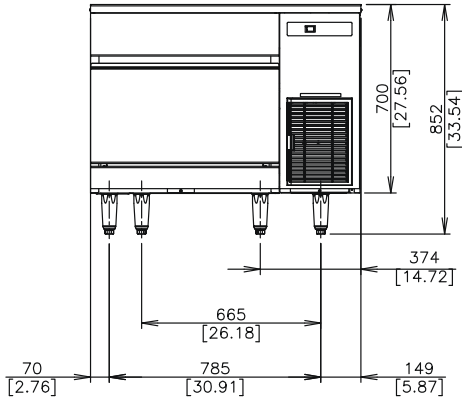
Hoshizaki reserves the right to change specifications without notice.



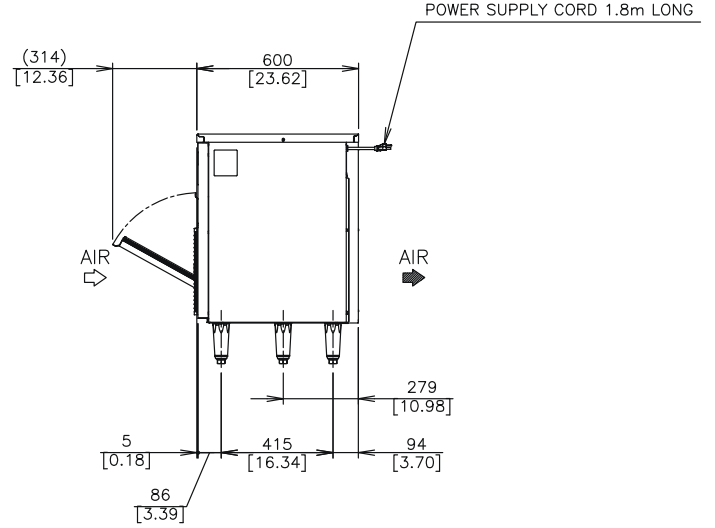
IM200BAC

SELF-CONTAINED CUBELET ICE MACHINE WITH BUILT-IN STORAGE BIN

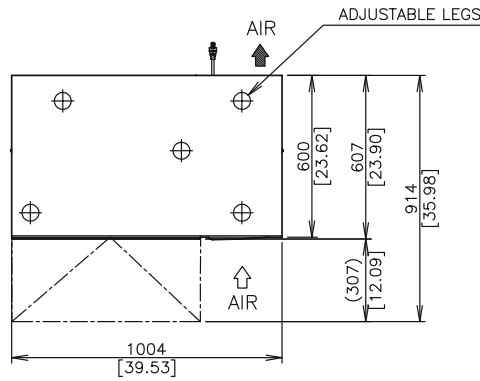
FRONT VIEW



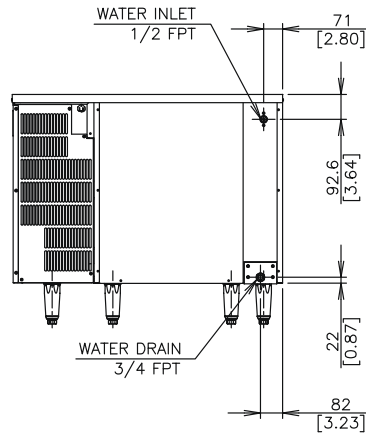
SIDE VIEW



BOTTOM VIEW



REAR VIEW





IM50BAAQ

SPHERE ICE MACHINE BUILT-IN STORAGE BIN

W x D x H
24^{3/4"} x 20^{3/4"} x 39^{1/2"}*
*including legs



IM50BAAQ



Diameter 1.8"
Weight 1.6 oz.



Features

- The only machine on the market to make sphere ice. Spheres are 1.8" in diameter, clear and solid.
- Cubes have superior chilling ability and beautiful appearance.
- Small footprint can easily fit under bar counter.

- Up to 50 lbs. (500 spheres) of ice production per 24 hours
- Built-in storage bin with 36 lb. capacity
- Durable stainless steel exterior
- Easy to clean air filter
- Foam injected polyurethane for insulation (HFC free)
- Closed water circuit offers the ultimate contamination protection
- Ice scoop included
- 6.5' power cord with NEMA 5-15P plug

Warranty:

3 Year Parts & Labor on entire machine.
5 Year Parts on Compressor, air-cooled condenser coil.
Valid in United States, Canada, Puerto Rico and U.S. Territories. Contact factory for warranty in other countries.

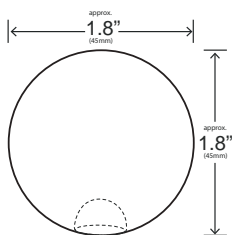
Shipping: (LxWxH) 30" x 24.6" X 38.4" Volume: 16.4ft³

MODELO	DESCRIPCIÓN
IM50BAAQ	Sphere ice machine built-in storage bin

Condenser	Model	ICE PRODUCTION		WATER USAGE			kWh Used per 100 lbs. 90°/ 70°F	Max. Fuse Size or HACR Circuit Breaker	Amperage	Voltage	Heat Rejection BTU/hr.	Refrigerant Charge Amount	Net / Ship Weight (lbs.)
		Air / Water Temp Lbs. per 24 hours 70°/ 50°F	90°/ 70°F	Potable Gal. per 24 hrs. 90°/ 70°F	Condenser Gal. per 100 lbs. 90°/ 70°F								
Air	IM50BAAQ	50	45	69	N/A	15.7	15A	5.0A	115V/60/1	1500	R134a / 7.1oz	139 / 168	

*Rated in accordance with AHRI Standard 820(I-P). Capacity based on 100% of total volume x 30 lb/ft³ average density of ice.

Sphere Ice Dimensions*



* approximate size; image not to scale

Operating Limits

- Ambient Temp Range 45 - 100°F
- Water Temp Range 45 - 90°F
- Water Pressure 10 - 113 PSIG
- Voltage Range 104 - 127V

Service

- Removable/cleanable air filter
- Panels easily removed and all components accessible for service.

Water Filter

Please refer to water filter speccation sheet for recommendations.

Plumbing

- Icemaker Water Supply Line: Minimum 1/2" Nominal ID Copper Water Tubing or Equivalent
- Icemaker Drain Line: Minimum 3/4" Nominal ID Hard Pipe or Equivalent

Clearance

- Minimum clearance: Allow 6" (15 cm) from Top and Rear. Allow 6" (15 cm) on left side and 0" on right side or 0" on left side and 6" (15 cm) on right side.

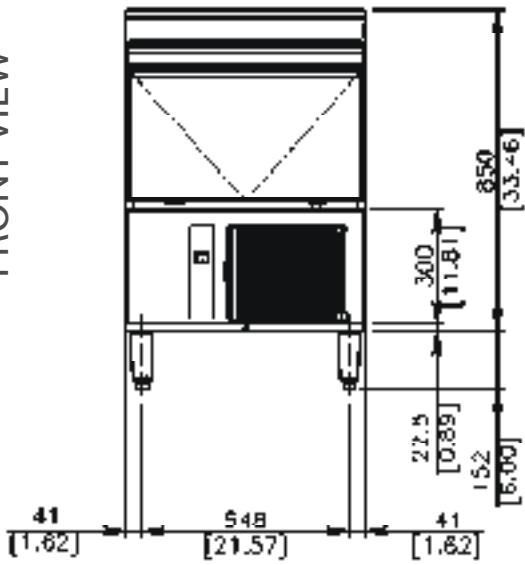
Hoshizaki reserves the right to change specifications without notice.



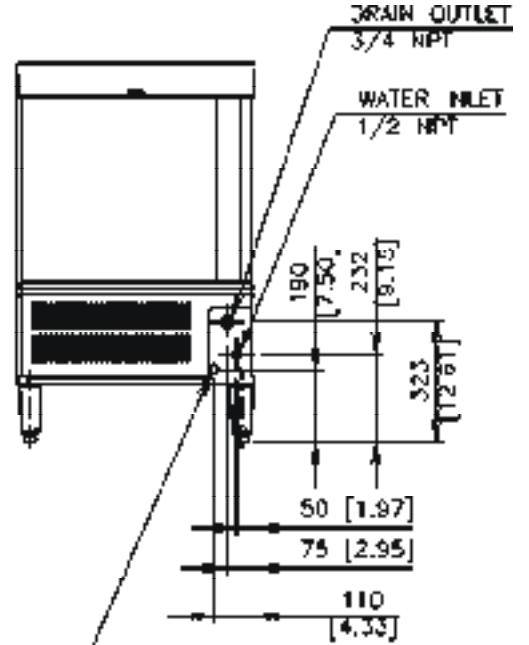
IM50BAAQ

SPHERE ICE MACHINE BUILT-IN STORAGE BIN

FRONT VIEW

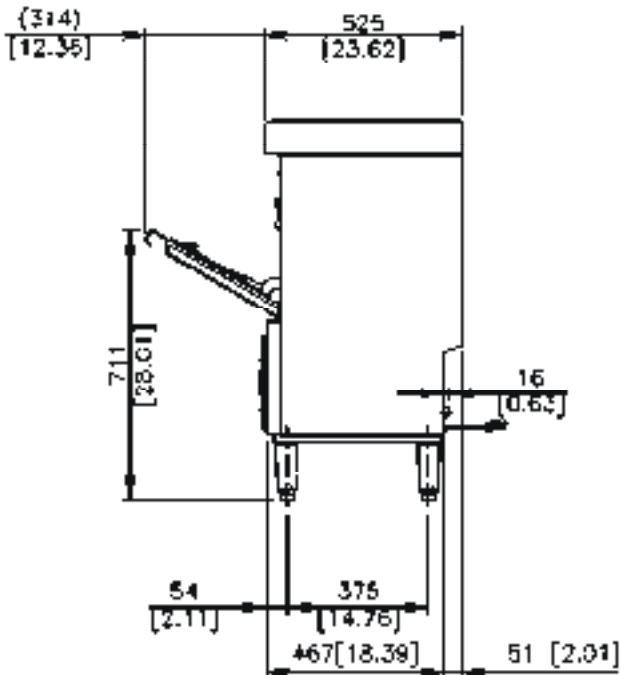


REAR VIEW

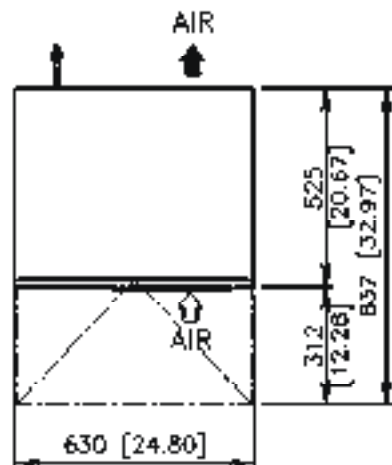


POWER SUPPLY CORD 2.0m[6.56 ft] LONG

SIDE VIEW



TOP VIEW





HR24C

COMPACT UNDERCOUNTER REACH-IN REFRIGERATOR

W x D x H
23.4" x 24.7" x 31.5"

ADA Compliant 



Features

- Stainless steel interior and exterior front, sides and top
- UL approved for outdoor use
- Interior LED lighting
- Stainless steel exterior door with aluminum interior comes standard with locks
- Field reversible door with full length tubular handle
- Magnetic door gasket is easily removable for cleaning
- Environmentally friendly insulation
- Electronic controls with LED Temperature Display and Audio/Visual Alarm
- High and low temperature alarms as well as "Door Open" alarm
- Automatic time-initiated defrost
- (3) Epoxy coated shelves standard
- 9 ft. cord and 5-15P NEMA plug
- Three year parts and labor warranty

Warranty:


3 Year Parts & Labor on entire machine. Valid in United States, Canada, Puerto Rico and U.S. Territories. Contact factory for warranty in other countries.

MODELO	DESCRIPCIÓN
HR24C	Under counter refrigerator

Dimensions / Capacity

	One Section HR24C
Interior Storage Capacity (CF) (AHAM)	3.87 ft ³
Overall Width x Depth (with handle)	23.4" x 26.5"
Height	31.5"
Depth with Door Open at 90°	46.7"
Adjustable Shelves	3
Shelf Dimensions (W x D)	(1) 18.5" x 17" , (2) 18.5 x 12"
Crated Weight	115 lbs.
Crated Shipping Dimensions (WxDxH)	26.8" x 24" x 36.6"

Electrical / Refrigeration

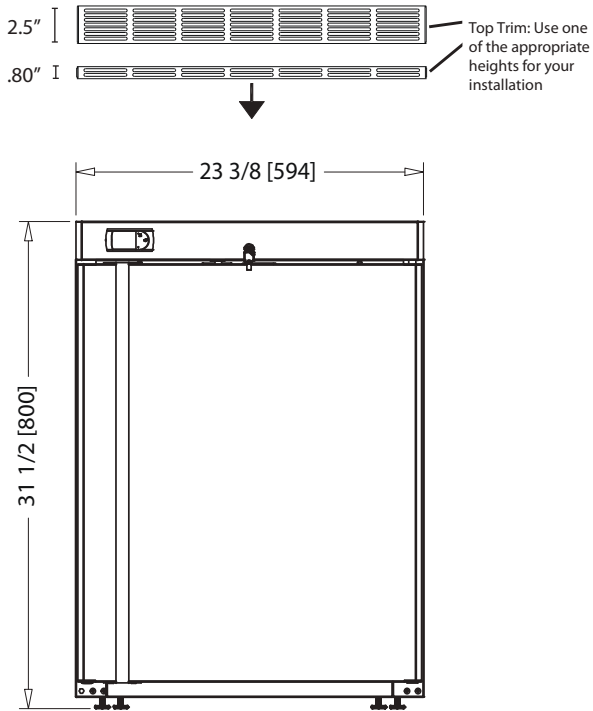
	One Section HR24C
Voltage	115/60/1
HACR Breaker	15.0 Amps
Electrical Connection (NEMA)	5-15P 
Voltage Range	115-127
Ambient Temp. Range	45° to 100°F
Control Setpoint Range	34° to 52°F
Amperage	1.1
Energy Consumption (kWh/day) @ASHRAE	0.64
Heat Rejection (BTU/Hr.)@NSF	648
Approx. Nominal Compres. BTU/HR (HP)	501 (1/8HP)
Refrigerant (charge amount, oz.)	R600a (0.9 oz.)

Hoshizaki reserves the right to change specifications without notice.

HR24C

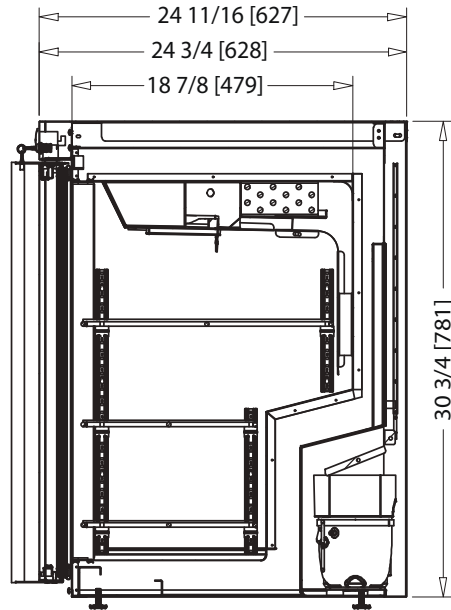
COMPACT UNDERCOUNTER REACH-IN REFRIGERATOR

FRONT VIEW

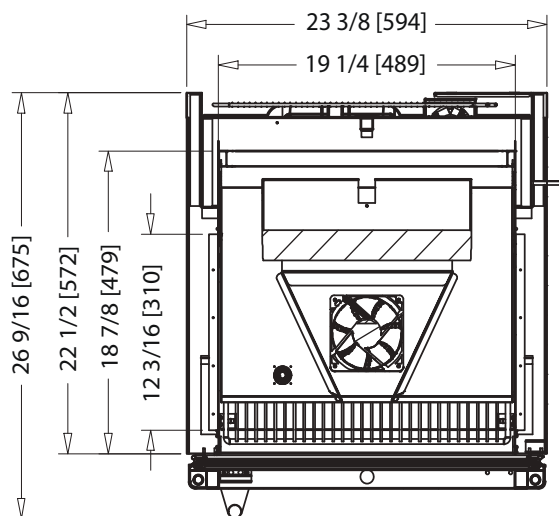
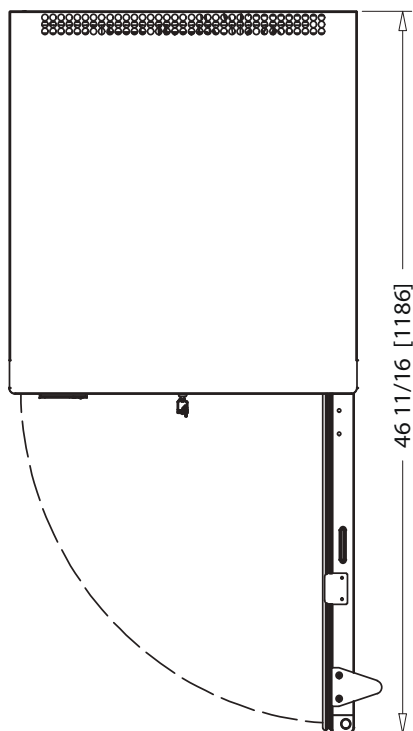


SIDE VIEW

inch
[mm]



PLAN VIEW





KM-81 BAJ

SELF-CONTAINED CUBER WITH BUILT-IN STORAGE BIN

W x D x H
17.75" x 24" x 39"*

*including 6" legs


ADA Compliant 

**KMEdge
DESIGN**

KM-81BAJ ★
Air-Cooled



Features

- Individual crescent cube
- Stainless steel evaporator
- CycleSaver™ design 

KM-81BAJ

- Up to 78 lbs. of ice production per 24 hrs
- Built-in storage capacity of 1.3ft

Warranty:

3 Year Parts & Labor on entire machine. 5 Year Parts & Labor on Evaporator. 5 Year Parts on Compressor; air-cooled condenser coil. 1 Year - HS-5061 Drain Pump Assembly - Parts & Labor. Valid in United States, Canada, Puerto Rico and U.S. Territories. Contact factory for warranty in other countries.

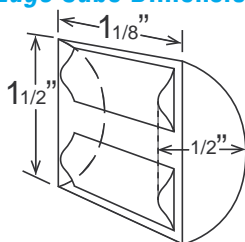
MODELO	DESCRIPCIÓN
KM81BAJ	Self-contained cuber with built-in storage bin

Condenser	Model	ICE PRODUCTION		WATER USAGE		ELECTRICAL			Heat Rejection BTU/hr.	Refrigerant Charge Amount	Net / Ship Weight (lbs.)	
		Air / Water Temp Lbs. per 24 hours 70° / 50°F	90° / 70°F	Potable Gal. per 100 lbs. 90° / 70°F	Condenser Gal. per 100 lbs. 90° / 70°F	kWh Used per 100 lbs. 90° / 70°F	Min. Circuit Amp. - Max Fuse/Breaker	Amperage				Voltage
Air-Cooled	KM-81BAJ	78	52	19.5	N/A	8.45	15A	3.5A	115V/60/1	1,350	7.1 oz.	92 / 125
Air-Cooled	KM-116BAJ	125	100	20.0	N/A	8.10	15A	5.5A	115V/60/1	2,100	7.8 oz.	111 / 146

KM-81BAJ Shipping: (LxWxH) 27" x 21" X 39" Volume: 12.80ft³

KM-116BAJ Shipping: (LxWxH) 27" x 27" X 39" Volume: 16.45ft³

KMEdge Cube Dimensions*



* approximate size in inches, image not to scale

Operating Limits

- Ambient Temp Range 45 - 100°F
- Water Temp Range 45 - 90°F
- Water Pressure 10 - 113 PSIG
- Voltage Range 104 - 127V

Service

- Allow enough space at rear for water supply and drain connections, at least 12" (30 cm) clearance at front and at least 0.6" (15 mm) clearance at top for maintenance.

Plumbing

- Icemaker Water Supply Line: Minimum 1/4" Nominal ID Copper Water Tubing or Equivalent
- Icemaker Drain Line: Minimum 3/4" Nominal ID Hard Pipe or Equivalent

Water Filter

Please refer to water filter spec sheet for recommended configurations.

Hoshizaki reserves the right to change specifications without notice.

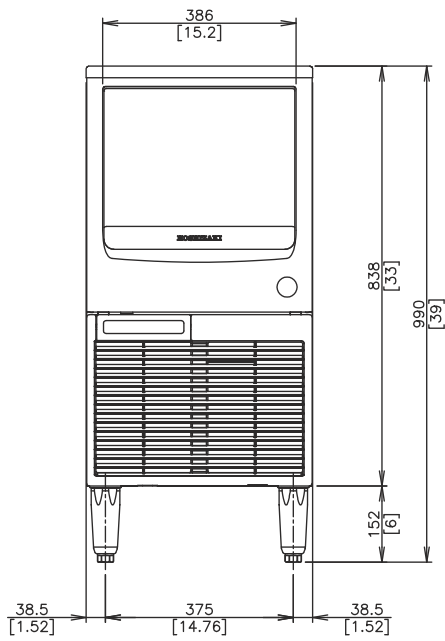


KM-81 BAJ

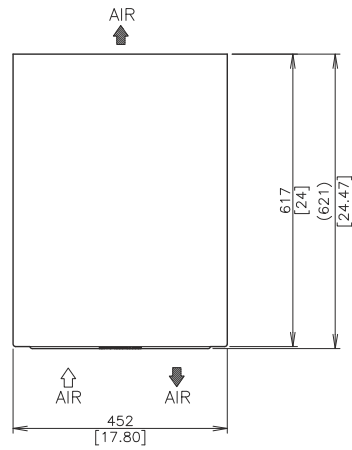
SELF-CONTAINED CUBER WITH BUILT-IN STORAGE BIN

inch
[mm]

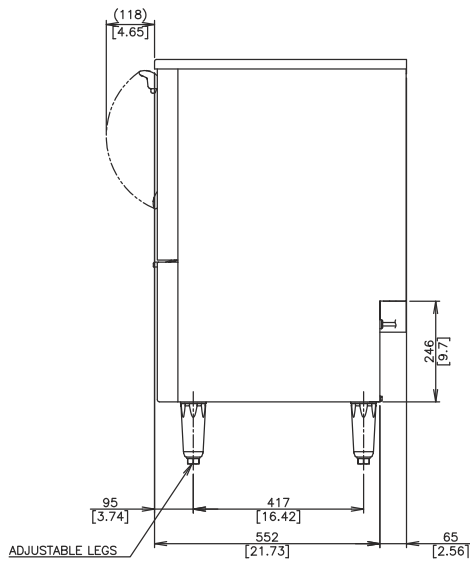
FRONT VIEW



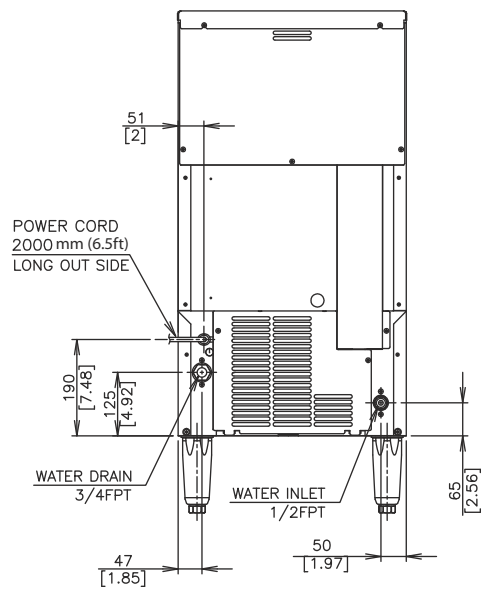
TOP VIEW



SIDE VIEW



REAR VIEW







📍 Oficinas Corporativas Artexa
Cañón Grande 7720, Col. La Estanzuela
Monterrey, N.L. 64984
T: (81) 8625 5000 info@artexa.com

📍 Artexa Experience & Design Center Mexico City
Homero 1433 Mezzanine Col. Polanco II Secc.
Delegación Miguel Hidalgo, Ciudad de México 11540
T: (81) 8625 5090 / 5091 citas@artexa.com

📍 Taller de Arquitectura Artexa
Rubén Darío 1533 Piso 6B
Col. Providencia Sección 4
C.P. 44639 Guadalajara, Jalisco.


 www.artexa.com


 [ArtexaMx](https://www.facebook.com/ArtexaMx)

 [artexamx](https://www.instagram.com/artexamx)

 [Artexamex](https://www.pinterest.com/Artexamex)

 [ArtexaMx](https://www.youtube.com/ArtexaMx)

 [artexamx](https://www.tiktok.com/artexamx)

 [Artexa-mexico](https://www.linkedin.com/company/Artexa-mexico)