

Artisan™

Professional Grills by Alfresco®





Artisan

Artisan

Your dream outdoor kitchen may be more affordable than you think

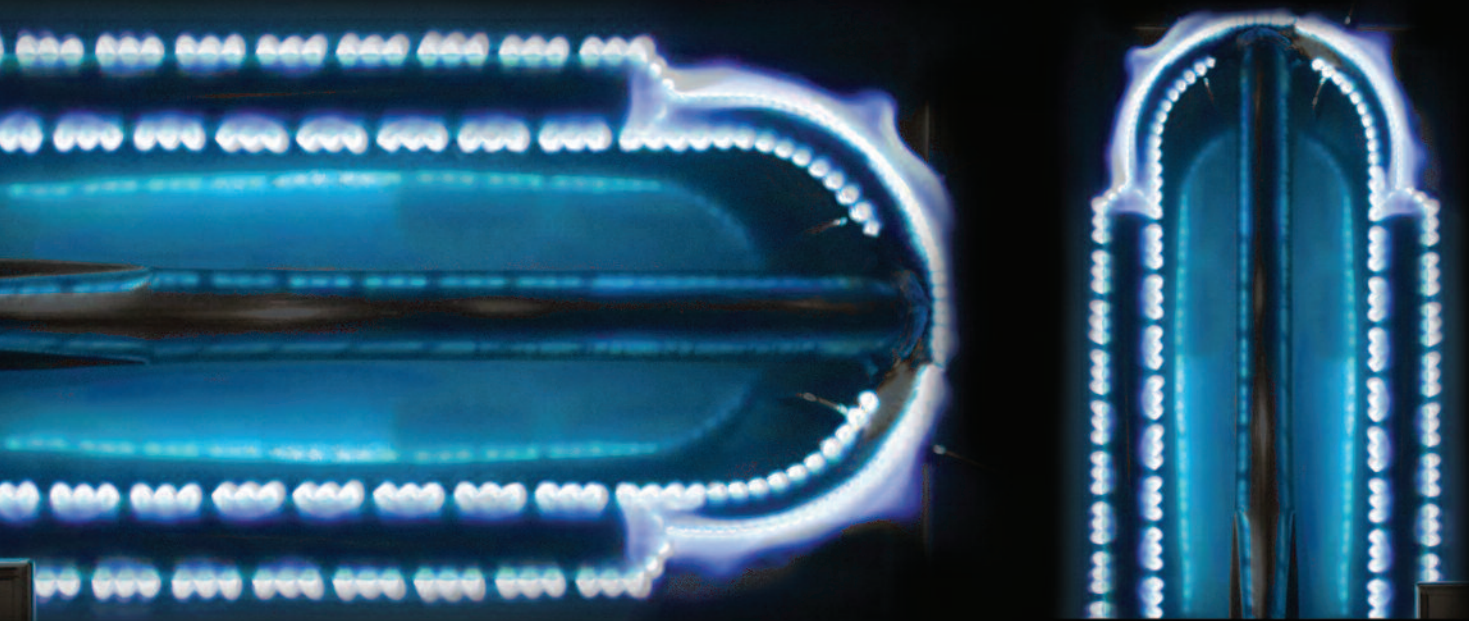
Before Artisan, your choice for an outdoor kitchen came down to premium American-made brands at a high cost, or much less expensive (and much lower quality) imports.

At Artisan, we strive to offer affordable luxury with all the quality and features you expect in premium American-made appliances and accessories, at prices normally only imports can offer.

Our years of experience building equipment for some of the finest restaurants, and our state-of-the-art manufacturing facility, allow us to offer an unprecedented mix of quality and value.

How do Artisan Professional Grills by Alfresco compare with the others?

With materials and construction, functional design and meticulous craftsmanship surpassed by none, Artisan Professional Grill's are tough enough to withstand the rigors of living outdoors.



Artisan Exclusive Heat Delivery System

Heavy-duty 304 18-8 stainless burners create evenly distributed extreme high heat to the cooking surface.

- 20,000 BTU rated main burners
- 300 Series stainless steel "U" burners with dual rows of clean and efficient combusting double lanced ports on three sides
- Best-in-class warranty



Made in the U.S.A

Made from commercial-grade 304 18-8 stainless steel, with durable heli-arc hand-welded seams.



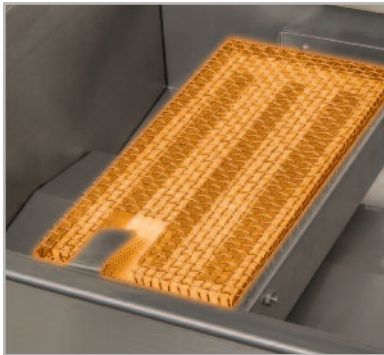
Precision Flame Control

Artisan's ergonomic grill knobs and brass valves, and are designed for precision control.



Refractive Locked-in-Place Ceramic 5-way Heat Distributing Briquettes

A special pyramid shape delivers intense even heat to the cooking surface. Radiant tray locks briquettes in place. Turn tray over and fire burners on high with lid closed to self-clean.



Sear Zone™ Infrared Burner

Optional interchangeable infrared burner. 20,000 BTU rated 100% combusting ceramic surface for intense even heat and authentic steakhouse results. Cooks 50% faster with virtually no flare-ups. Sear Zone™ Burner Model: ART-ISB. Grate for Sear Zone™ Model: ASZG



Redesigned Switches

Stainless steel push-buttons for ignition and lighting are ergonomically integrated into the front control panel.



Control Panel Lighting

Ambient blue LED front panel lighting illuminates knobs creating a rich beam of light exactly where you need it. Professional Series only.



Hood Lift Assist

Heavy-duty stainless steel spring assist makes for one finger open and close of the grill hood.



Flush Rear Infrared Rotisserie Burner

32" and 36" model grills come with a flush-mounted 1500° rear ceramic infrared rotisserie burner. (Professional Series only)



Stainless Steel Cooking Grates

Heavy-duty stainless steel cooking grates with a special non-stick electro-polished finish are positioned over briquette and "U" burner sections.



Adjustable Food Warming and Grilling Rack

Two-position adjustable warming rack stores up and out of the way when rotissing. Ideal for above-grilling-surface holding and cooking.



Halogen Work Light

Integrated high-intensity halogen work lights on 32" and 36" models.
Light lens is easily removable without the use of tools. (Professional Series only)



Integrated Thermometer

Standard on every Artisan grill, this convenient thermometer is built into the hood for accurate oven roasting temperatures.



Exclusive Heat Protected Wiring

Electrical wires are each encapsulated their full length with a 600° heat-resistance silicone sleeve, and all electric connectors are protected with a silicone boot of same heat resistance silicone.



Exclusive Control Panel Air Cooling Curtain

A special air-cooling plenum blasts a curtain of cool air that flows up between the front control panel and firebox keeping front panel and bullnose safely cool to the touch. This also protects all the electronics.



Heavy-Duty 50-lb. Torque Rotisserie Motor

Connects to either end of rotisserie spit turning foods smoothly and consistently.
(Optional on American Eagle Series)



36"

Artisan Professional Series

Three 20,000 BTU rated main U-burners
15,000 BTU rated infrared rear rotisserie burner

Total rated BTUs: 75,000

110V electronic ignition

Bright halogen work lights

2-position warming rack

Optional Sear Zone™ available

Models: ARTP-36 (Built-in) and ARTP-36C (Cart Model)

Cart model ships fully assembled



32"

Artisan Professional Series

Three 20,000 BTU rated main U-burners
15,000 BTU rated infrared rear rotisserie burner
Total rated BTUs: 75,000
110V electronic ignition
Bright halogen work lights
2-position warming rack
Optional Sear Zone™ available

Models: ARTP-32 (Built-in) and ARTP-32C (Cart Model)
Cart model ships fully assembled



36"

Artisan American Eagle Series

Three 20,000 BTU rated main U-burners

Total rated BTUs: 60,000

9V electronic ignition

Warming rack

Optional: Rotis Accessory ART-ROT36

(Includes motor, spit, and forks only)

Optional Sear Zone™ available

Models: AAEP-36 (Built-in) and AAEP-36C (Cart Model)

Cart model ships fully assembled



32"

Artisan American Eagle Series

Three 20,000 BTU rated main U-burners

Total rated BTUs: 60,000

9V electronic ignition

Warming rack

Optional: Rotis Accessory ART-ROT32

(Includes motor, spit, and forks only)

Optional Sear Zone™ available

Models: AAEP-32 (Built-in) and AAEP-32C (Cart Model)

Cart model ships fully assembled



26"

Artisan American Eagle Series

Two 20,000 BTU rated main U-burners

Total rated BTUs: 40,000

9V electronic ignition

Warming rack

Optional: Rotis Accessory ART-ROT26

(Includes motor, spit, and forks only)

Optional Sear Zone™ available

Models: AAEP-26 (Built-in) and AAEP-26C (Cart Model)

Cart model ships fully assembled

Accessories

Complete your dream outdoor kitchen!

Access Doors and Drawers

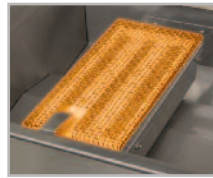
Artisan access doors and drawers are made of 304 stainless steel exteriors for long life, easy maintenance, and a perfect match to your grill. Doors feature magnetic closures and an optional interior shelf. Drawers feature full-length ball bearing slides for smooth operation.

Door/Drawer Combo Model: ARTP-DDC
Double Door Model: ARTP-DD
Double Drawer Model: ARTP-2DR
Single LEFT Door Model: ARTP-SDL
Single RIGHT Door Model: ARTP-SDR
Door Shelf for Cart Grill Model: ARTP-DS



Sear Zone™ Infrared Burner

Optional interchangeable infrared burner.
Sear Zone™ Burner Model: ART-ISB.
Grate for Sear Zone™ Model: ASZG



Side Burners

Artisan's single side burner is the perfect complement to your grill. Simple drop-in installation for your island, or use with a freestanding grill with the optional side shelf accessory. Features a brass burner rated at 15,000 BTUs, AA battery powered ignition, and a hinged stainless steel cover.

New! Artisan's new double side burner is a premium cooking complement to your Artisan grill. Featuring two 15,000 BTU rated brass burners with electronic ignition, and recessed top with stainless steel cover.

Single Side Burner Model: ART-SB1
Cart Mount for ART-SB1: ARTC-SBM
Dual Side Burner Model: ARTP-SB2
Cart Mount for ARTP-SB2: ARTPC-SB2M



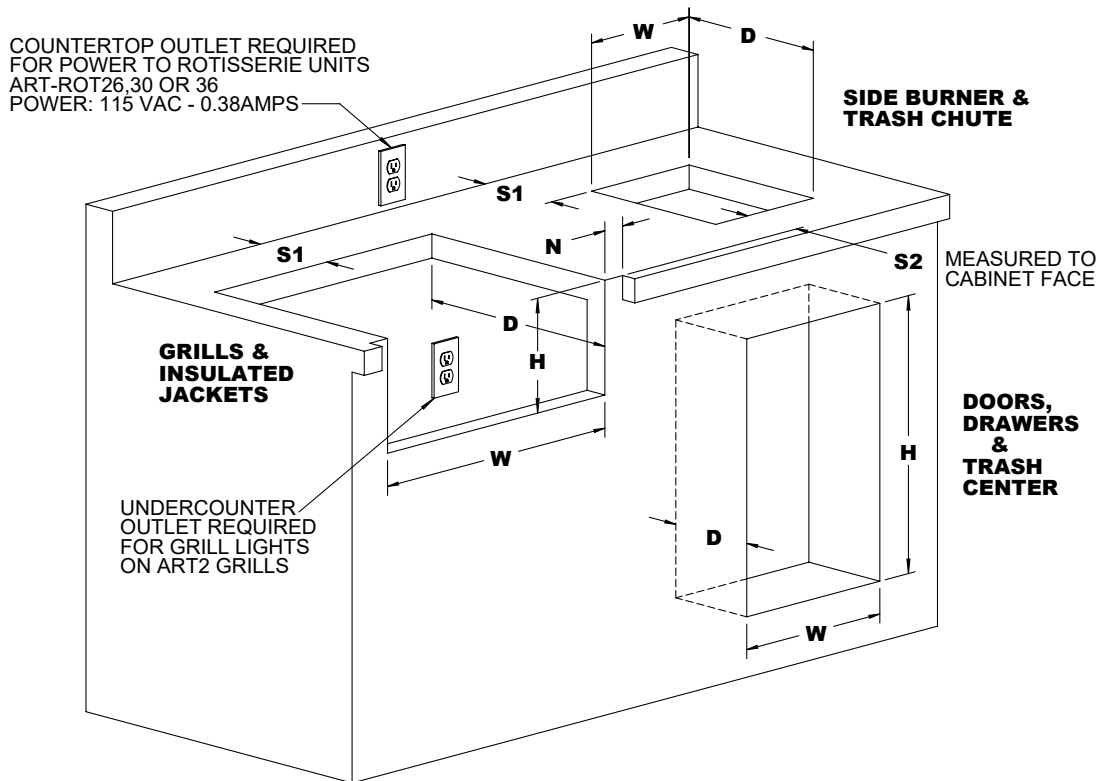
Trash Center and Chute

The most convenient way to deal with waste in your outdoor kitchen. Trash Center features full-length ball bearing slides and holds a standard 10-gallon trash can (not included). Waste Chute mounts in countertop above for easy access to trash can below and features a sliding cutting board.



Prep/Waste Chute Model: ARTP-PWC
Trash Center Model: ARTP-TC

Specification and Cutouts



MODEL	CUTOUT DIMENSIONS			NOTCH N	SETBACKS		POWER ① AMPS	GAS LINE
	W	D	H		S1(MIN.)	S2		
AAE / AAEP-26	24-1/2"	19-3/4"	9-1/2"	7/8"	5-3/4"	~		③
ARTP / ART2 / AAEP / AAE-32	30-1/2"	19-3/4"	9-1/2"	7/8"	5-3/4"	~	0.71 ②	③
ARTP / ART2 / AAEP / AAE-36	34-1/2"	19-3/4"	9-1/2"	7/8"	5-3/4"	~	0.71 ②	③
ARTIJ-26	27-1/4"	23-5/8"	10-1/4"	7/8"	1-5/8"	~		④
ARTIJ-32	33-1/4"	23-5/8"	10-1/4"	7/8"	1-5/8"	~	④	④
ARTIJ-36	37-1/4"	23-5/8"	10-1/4"	7/8"	1-5/8"	~	④	④
ART-SB1	11"	15"	~	~	1-1/2"	~		⑤
ARTP-SB2	12-3/8"	22-3/8"	9-1/4"	7/8"	4-1/4"	~		
ART-SDL / SDR	13-7/8"	~	18-1/2"	~	~	~		
ART-DD	27-1/4"	~	18-1/2"	~	~	~		
ART-DDC	29-3/8"	18-5/8"	18-1/2"	~	~	~		
ART-2DR	14-5/8"	18-5/8"	12-1/2"	~	~	~		
ART-TC	12-1/2"	18-1/2"	26-1/2"	~	~	~		
ART-PWC	6-1/4"	8-1/4"	~	~	~	4-5/8"		

NOTE ①: ALL POWER SUPPLIES SHOWN ARE 115 VAC - 1Ø - 60 Hz.

NOTE ②: POWER REQUIREMENTS FOR ART2-32 AND ART2-36 INCLUDE LIGHT AND ROTISSERIE POWER TOGETHER. AAE BBQ'S USE 9 VDC IGNITION AND DO NOT HAVE LIGHTS.

NOTE ③: ALL GAS LINES REQUIREMENTS ARE AS FOLLOWS:
NG: 1/2" NPT WITH 5" W.C. **LP:** 3/8" ODF WITH 10" W.C.

NOTE ④: INSULATED JACKETS ARTIJ-26 / 32 / 36 DO NOT REQUIRE POWER AND OR GAS LINES BY THEMSELVES, ONLY THE GRILLS THEY ARE MEANT TO INSULATE REQUIRE THEM.

NOTE ⑤: ART-SB1 GAS LINE IS 3/8" OD CONNECTED TO THE EXISTING GRILL WITH SUPPLIED GAS FITTINGS.



📍 Oficinas Corporativas Artexa
Cañón Grande 7720, Col. La Estanzuela
Monterrey, N.L. 64984
T: (81) 8625 5000 info@artexa.com

📍 Artexa Experience & Design Center Mexico City
Homero 1433 Mezzanine Col. Polanco II Secc.
Delegación Miguel Hidalgo, Ciudad de México 11540
T: (81) 8625 5090 / 5091 citas@artexa.com

📍 Taller de Arquitectura Artexa
Rubén Darío 1533 Piso 6B
Col. Providencia Sección 4
C.P. 44639 Guadalajara, Jalisco.

 www.artexa.com  ArtexaMx  artexamx  Artexamex  ArtexaMx  artexamx  Artexa-mexico

Contáctanos: contacto@artexa.com

O llama al: **81 2039 1646**